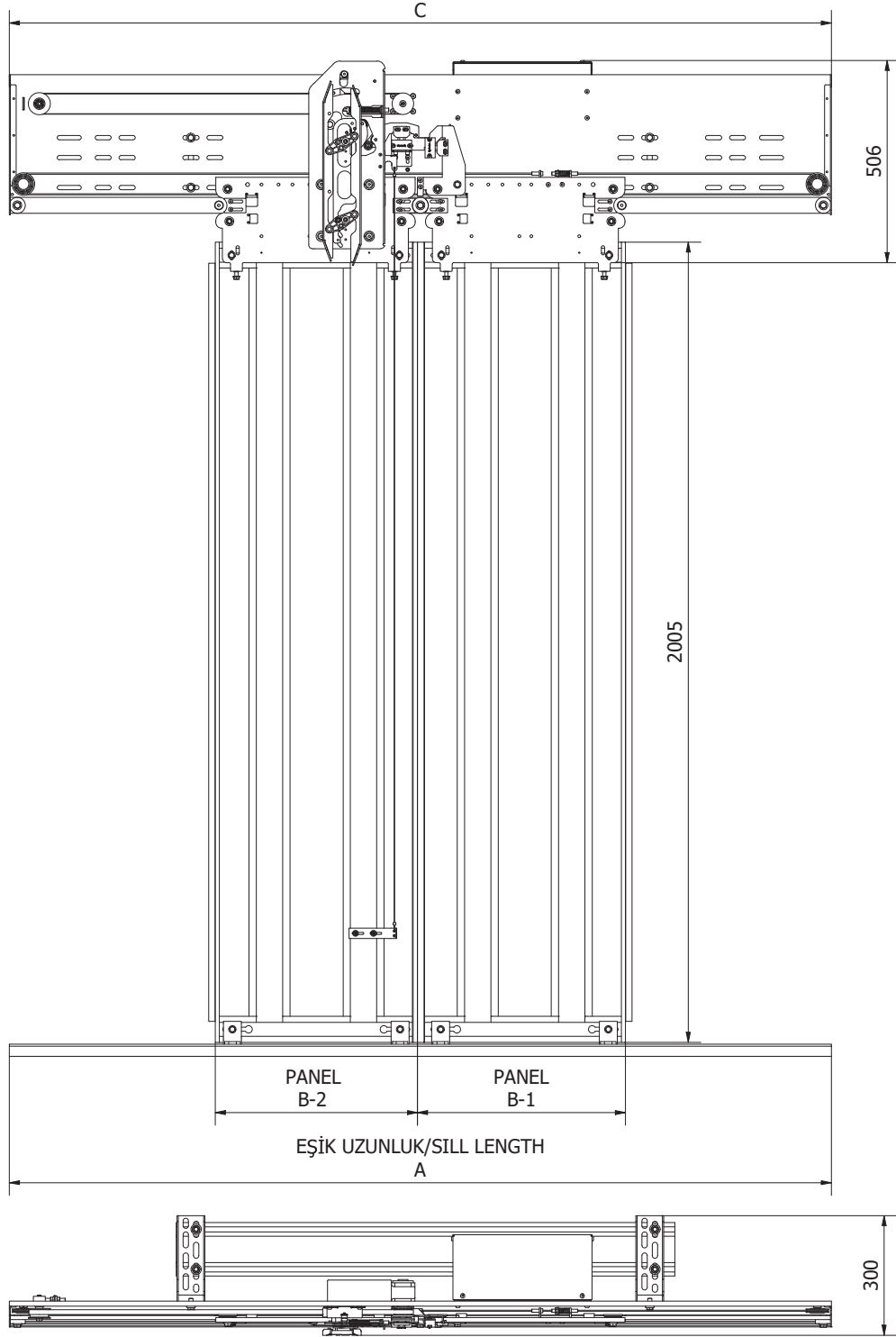


LT-2PC SERİSİ
LT-2PC MODEL

2 PANEL MERKEZİ KABİN KAPISI

2 PANELS CENTRAL CAR DOOR

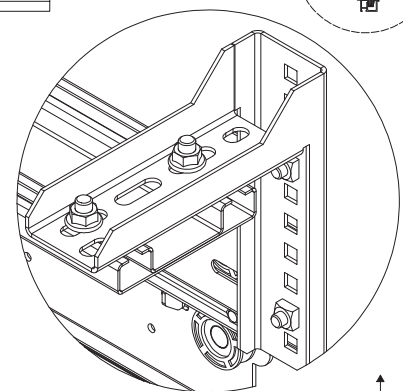
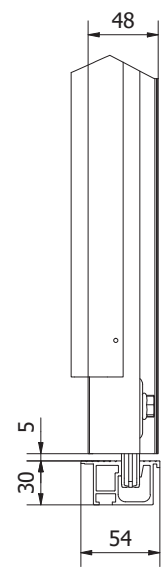
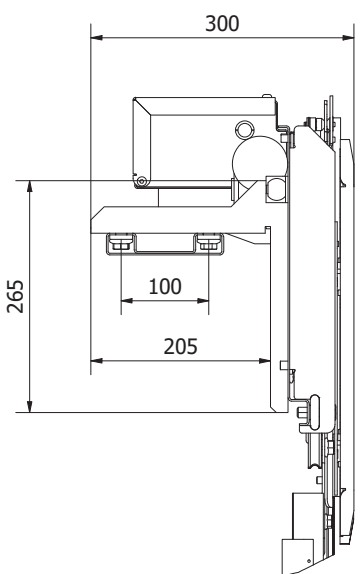
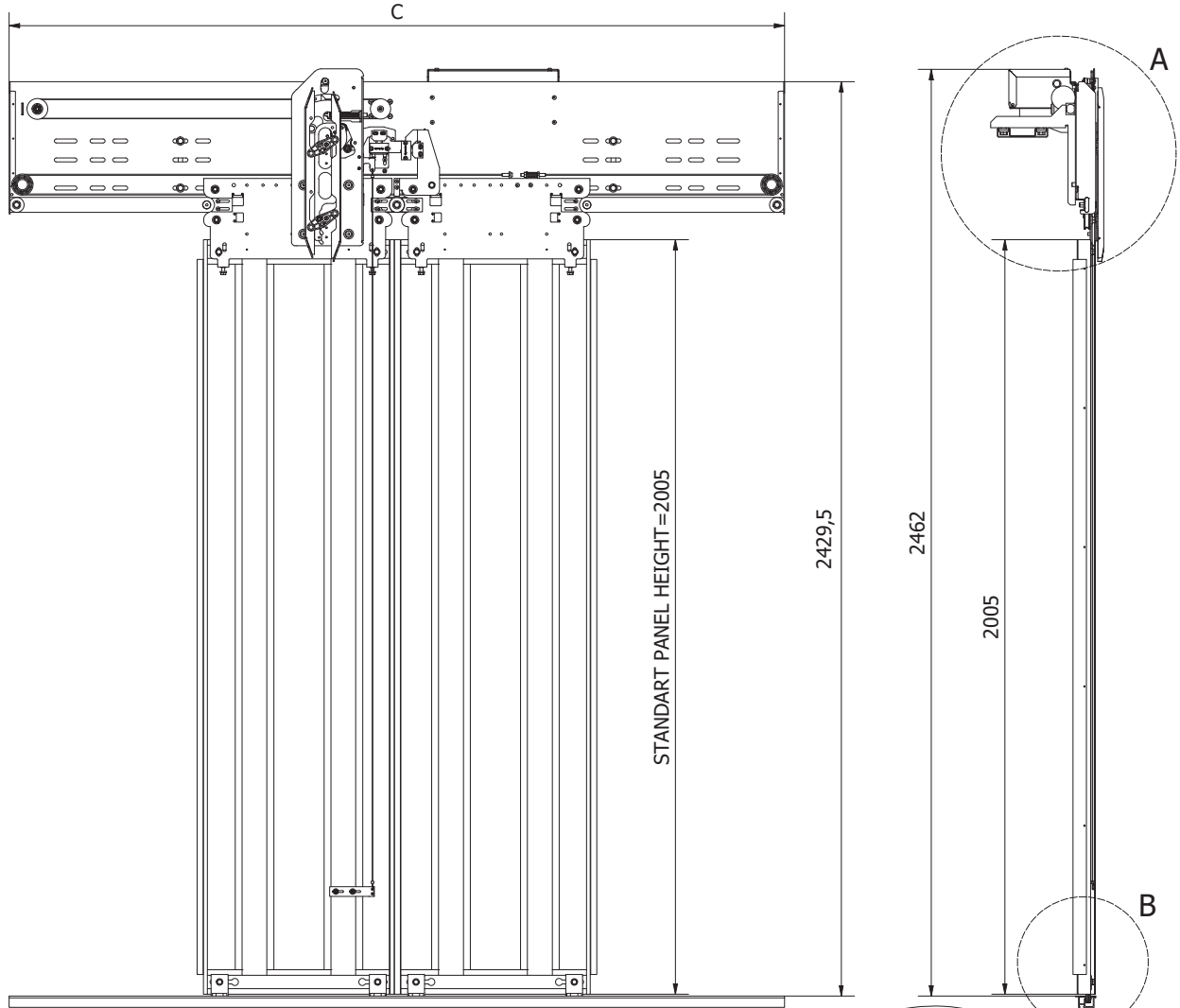


CO	600	700	800	900	1000	1100	1200	1300	1400	1500	1600
C	1260	1460	1660	1860	2060	2260	2460	2660	2860	3060	3260
A	1260	1460	1660	1860	2060	2260	2460	2660	2860	3060	3260
B-1	320	370	420	470	520	570	620	670	720	770	820
B-2	305	355	405	455	505	555	605	655	705	755	805

2 PANEL MERKEZİ KABİN KAPISI

2 PANELS CENTRAL CAR DOOR

LT-2PC SERİSİ
LT-2PC MODEL



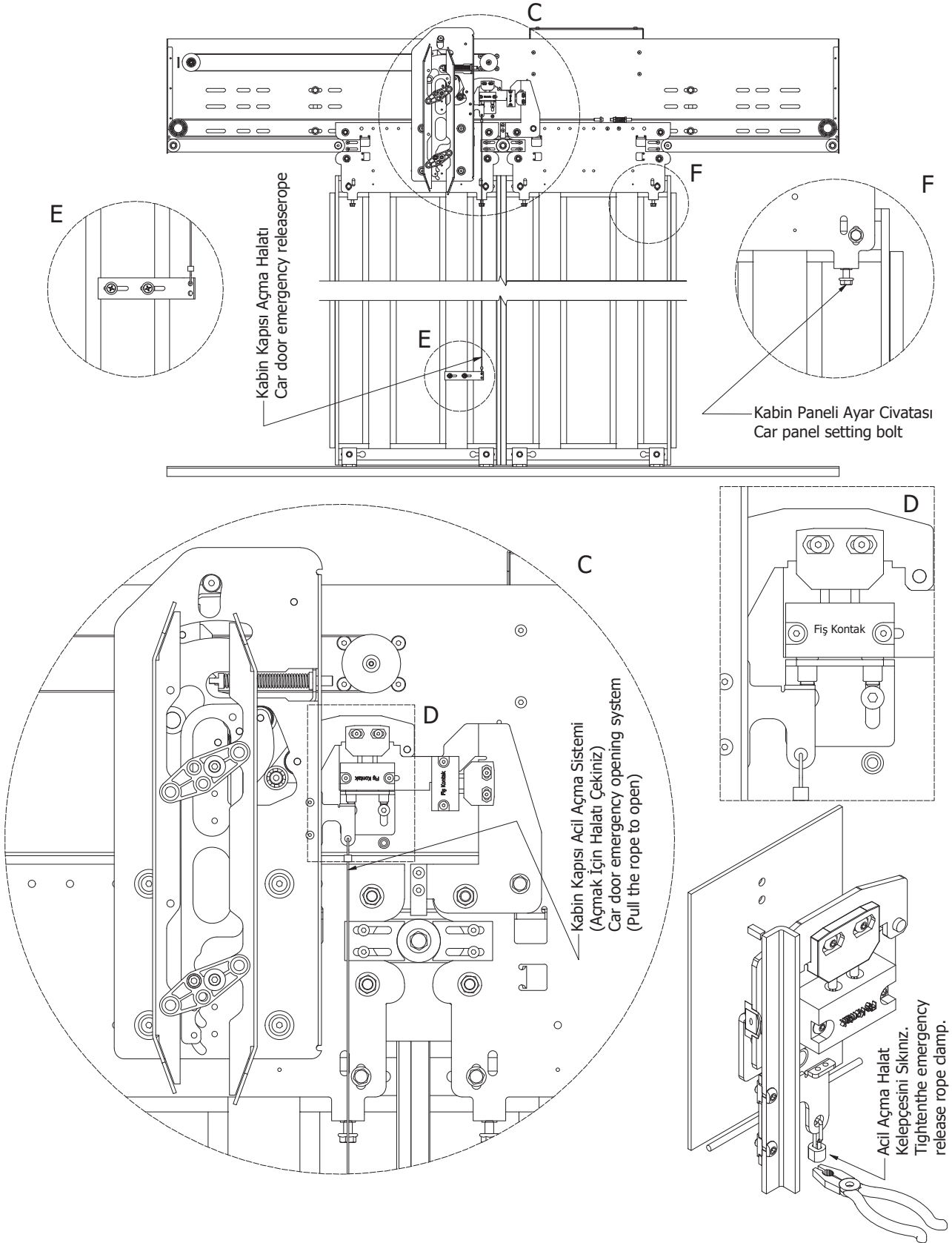
Kabin Mekanizması
Sabitleme Hareket Yönleri

Car Operator
Direction of Movement of Fixing

LT-2PC SERİSİ
LT-2PC MODEL

2 PANEL MERKEZİ KABİN KAPISI

2 PANELS CENTRAL LANDING DOOR



2 PANEL MERKEZİ KABİN KAPISI

2 PANELS TELESCOPIC LANDING DOOR

LT-2PC SERİSİ
LT-2PC MODEL

